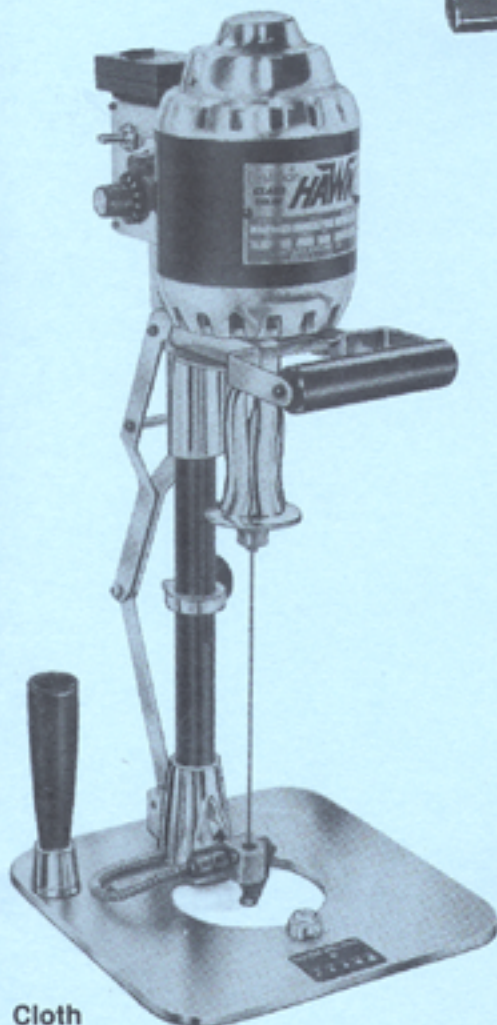
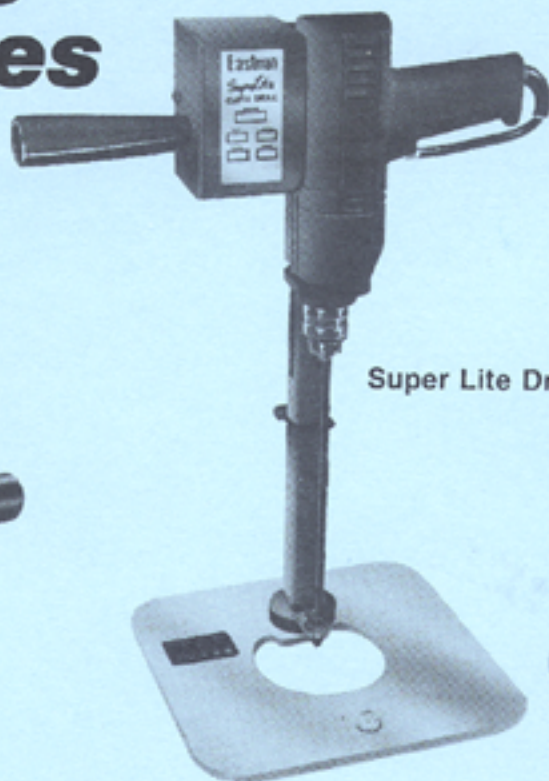


EASTMAN

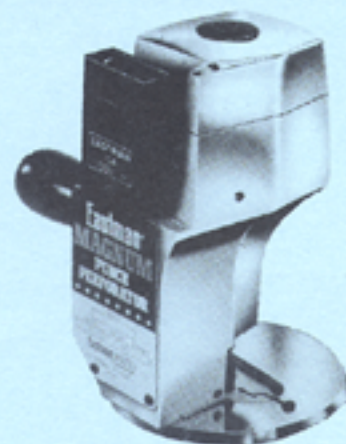
Marking Machines



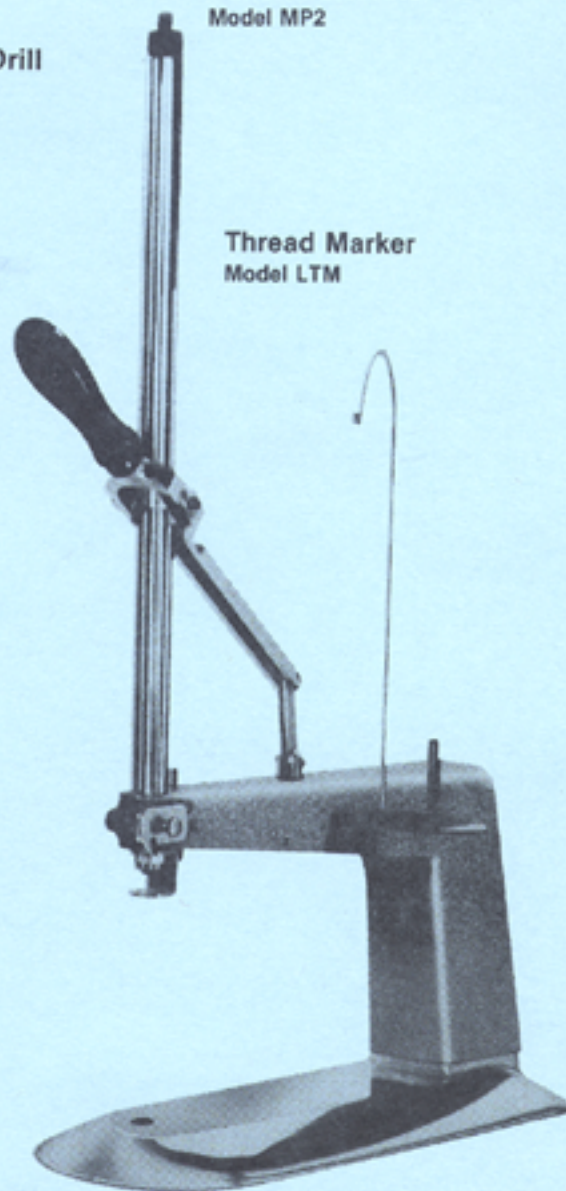
Cloth
Drill Marker
Model CD3, CD3H
Hawk/Model CDL, CDLH



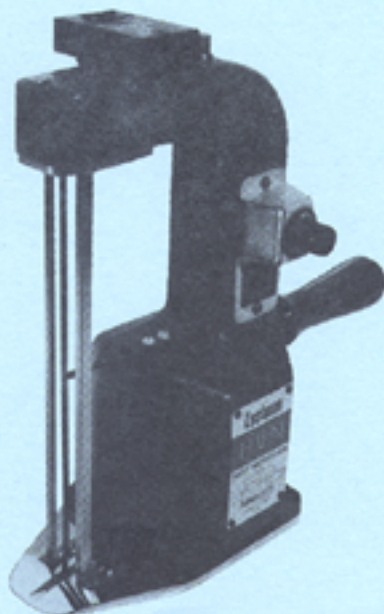
Super Lite Drill



Magnum
Punch Perforator
Model MP2



Thread Marker
Model LTM



Hot Notcher
Model HVN

PARTS LIST

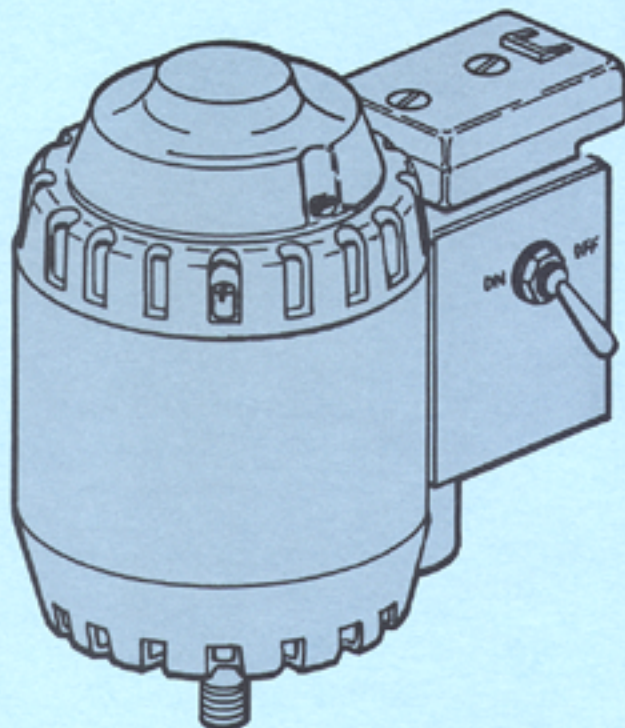
Eastmanmachine
COMPANY

779 Washington St., Buffalo, N.Y. 14203-1396 U.S.A. • (716)856-2200 • Fax (716)856-1140 or (716)856-2068
Manufacturers of Eastman Cloth Cutting and Cloth Spreading Machines

EASTMAN

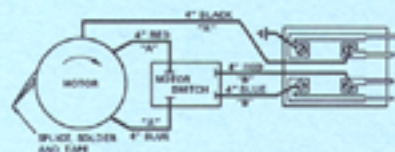
Cloth Drill

Model CD3, CD3H, CDL, and CDLH
Illustrated Parts List

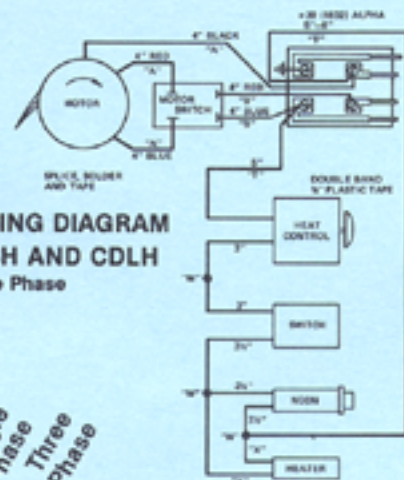


Motor Assemblies

NOTE: Please specify model and serial number of machine when ordering parts.



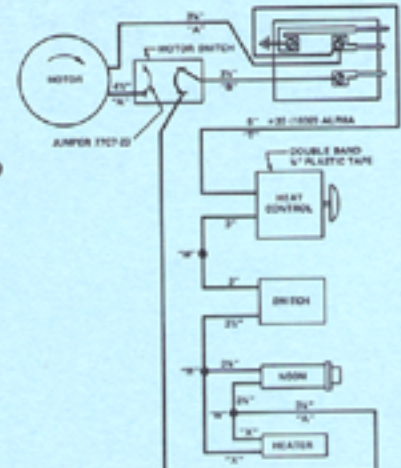
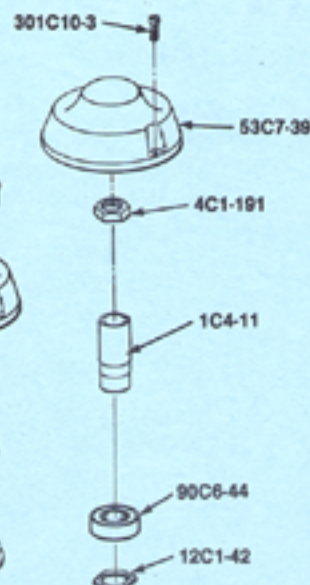
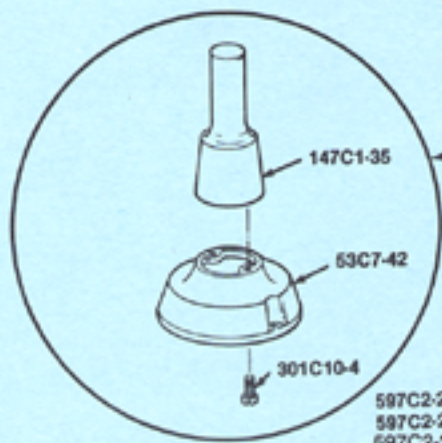
WIRING DIAGRAM CD3 AND CDL
 Three Phase



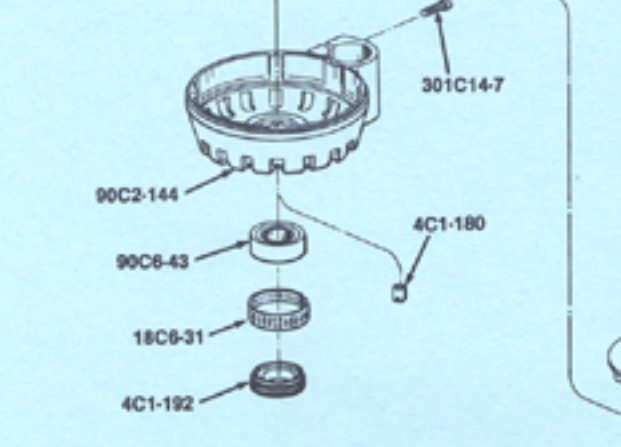
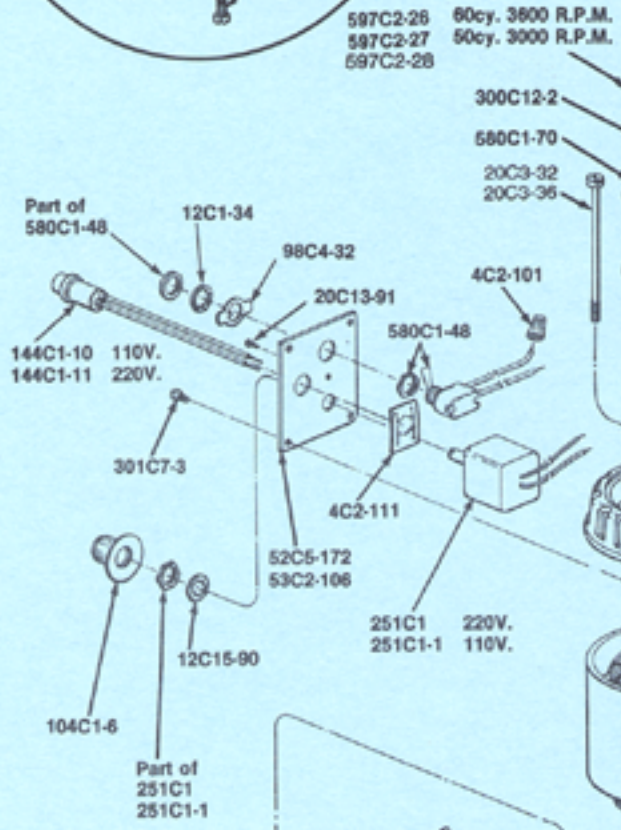
WIRING DIAGRAM
 CD3H AND CDLH
 Three Phase

Part Number	CD3 & CDL			Description
	CD3H & CDLH	CD3 & CDL	CD3H & CDLH	
1C4-11	0	0	1	Spacer Sleeve
4C1-180	4	4	4	Nut
4C1-191	1	1	1	Shaft Lock Nut
4C1-192	1	1	1	Lower Bearing Nut
4C2-101	0	1	0	Wire Nut
4C2-111	0	1	0	Speed Nut
8C5-10	1	1	1	Automatic Switch Insulation

Part Number	CD3H & CDLH			Description
	CD3H & CDLH	CD3 & CDL	CD3H & CDLH	
10C2-30	1	1	1	Rotor Fan
12C1-34	0	2	0	Lock Washer
12C1-42	1	1	1	Loading Spring Washer
12C15-90	0	1	0	Lock Washer for Control
18C6-31	1	1	1	Tolerance Ring
18C6-38	1	1	1	Location Ring Switch
20C3-32	0	0	4	Motor Screw
20C3-36	4	4	0	Motor Screw
20C13-91	0	1	0	Drive Screw
52C5-164	1	1	1	Switch Base
52C5-172	0	1	0	Control, Pilot Light, Switch Base
52C5-181	1	0	1	Switch Base
53C2-106	1	0	1	Switch Cover
53C7-39	1	1	1	Rear Bearing Cover
53C7-42	1	1	1	Rear Bearing Cover 11-1/2"
73C7-121	2	2	2	Tubing Insulation
90C1-154	1	1	1	Upper Bearing Housing
90C2-144	1	1	1	Lower bearing Housing
90C6-43	1	1	1	Lower Ball Bearing
90C6-44	1	1	1	Upper Ball Bearing
98C4-32	0	1	0	Switch Cap
104C1-6	0	1	0	Dial Indicator
144C1-10	0	1	0	Pilot Light 110V.
144C1-11	0	0	1	Pilot Light 220V.
147C1-35	1	1	1	Extension for Cover 11-1/2"
251C1	0	0	1	Heat Control 220V.
251C1-1	0	1	0	Heat Control 110V.
300C10-3	3	3	3	Screw, 6-32 x 5/16 Round Head
300C12-2	2	2	2	Screw, 6-32 x 3/8 Round Head
301C7-3	8	8	8	Screw, 4-36 x 1/4 Fillister Head
301C10-3	2	2	2	Screw, 6-32 x 3/8 Fillister Head
301C10-4	2	2	2	Screw, 6-32 x 1/2 Fillister Head
301C14-7	2	2	2	Screw, 10-24 x 1 Fillister Head
512C1-122	0	0	1	Rotor With Fan
512C1-128	1	1	0	Rotor With Fan
514C4-229	1	1	0	CD3/Stator With Band 110V, 60 cy, 3600 R.P.M.
514C4-232	1	1	0	CD3/Stator With Band 110V, 50 cy, 3000 R.P.M.
514C4-233	1	1	0	CD3/Stator With Band 220V, 60 cy, 3600 R.P.M.
514C4-234	1	1	0	CD3/Stator With Band 220V, 50 cy, 3000 R.P.M.
514C4-235	1	1	0	CDL/Stator With Band 110V, 60 cy, 3600 R.P.M.
514C4-238	1	1	0	CDL/Stator With Band 110V, 50 cy, 3000 R.P.M.
514C4-239	1	1	0	CDL/Stator With Band 220V, 60 cy, 3600 R.P.M.
514C4-240	1	1	0	CDL/Stator With Band 220V, 50 cy, 3000 R.P.M.
514C4-117	0	0	1	CD3/Stator With Band 220V, 60 cy, 3600 R.P.M.
514C4-118	0	0	1	CD3/Stator With Band 220V, 50 cy, 3000 R.P.M.
514C4-188	0	0	1	CDL/Stator With Band 220V, 60 cy, 3600 R.P.M.
514C4-198	0	0	1	CDL/Stator With Band 220V, 50 cy, 3000 R.P.M.
537C1-21	1	1	1	Rear Bearing Cover w/Extension 11-1/2"
580C1-48	0	1	0	Toggle Switch
580C1-65	0	0	1	Switch for Motor(Three Phase)
580C1-70	1	1	0	Automatic Cut Out Switch
580C1-85	1	1	0	Switch for Motor(Single Phase)
597C2-26	1	1	0	Automatic Cut Out 60 Cy, 3600 R.P.M.
597C2-27	1	1	0	Automatic Cut Out 50 Cy, 3000 R.P.M.
597C2-28	1	1	0	Automatic Cut Out 50 Cy, 1800 R.P.M.
626C1-42	1	0	1	Switch Bracket w/Switch Base
626C1-43	0	1	0	Switch Bracket w/Switch Base
783C1-3	1	1	1	Ground Wire Assy.

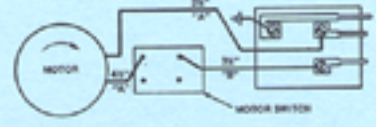


**WIRING DIAGRAM
CD3H AND CDLH
Single Phase**



CD3		CDL	
514C4-229	110V, 60 cy, 3600 R.P.M.	514C4-235	110V, 60 cy, 3600 R.P.M.
514C4-232	110V, 50 cy, 3000 R.P.M.	514C4-238	110V, 50 cy, 3000 R.P.M.
514C4-233	220V, 60 cy, 3600 R.P.M.	514C4-239	220V, 60 cy, 3600 R.P.M.
514C4-234	220V, 50 cy, 3000 R.P.M.	514C4-240	220V, 50 cy, 3000 R.P.M.
514C4-117	220V, 60cy, 3600 R.P.M.	514C4-188	220V, 60 cy, 3600 R.P.M.
514C4-118	220V, 50cy, 3000 R.P.M.	514C4-198	220V, 50 cy, 3000 R.P.M.

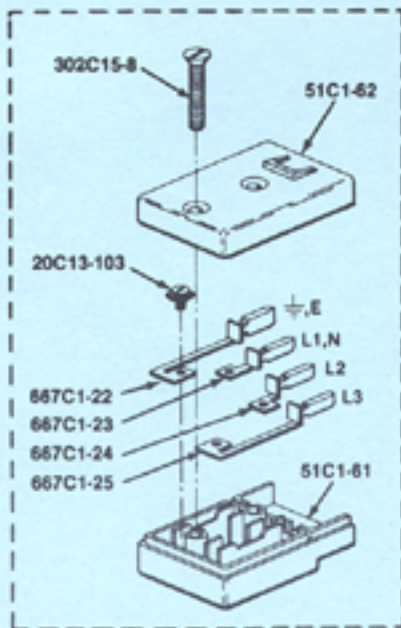
* Includes These Parts: 626C1-42, 626C1-43, 783C1-3, 300C10-3, 580C1-65, 580C1-85, 73C7-121, 62C1-168, 52C5-164, 52C5-181, 12C1-34, 18C6-36, 301C7-3.



**WIRING DIAGRAM CD3 AND CDL
Single Phase**

NOTE: When ordering Single Phase Stator & Bands for machines prior to 1989, part numbers 20C3-36 and 512C1-128 must also be ordered.

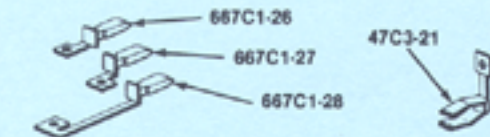
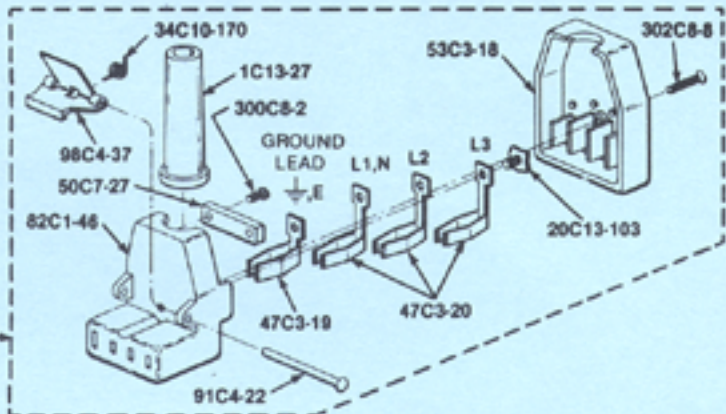
**Eastmanmachine
COMPANY**



TERMINAL BLOCK
 PATENT 4,808,244
508C1-100
 SHOWN

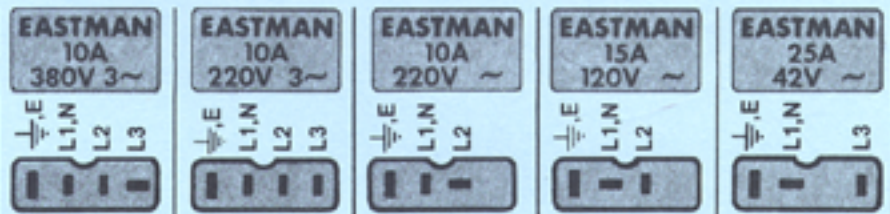
PLEASE SPECIFY
 VOLTAGE WHEN
 ORDERING PARTS

ATTACHMENT PLUG
 PATENT 4,808,244
523C1-100
 SHOWN



WARNING
Wiring Instructions
Eastman
Attachment Plugs

Electrical connections to this device should be made by a qualified electrician who is familiar with applicable codes and regulations. To ensure operator safety, a ground lead must be connected to terminal "E" on the attachment plug. Disconnect this equipment from electrical power before proceeding with any disassembly for adjustment inspection or repair.



Description	Part No.	523C1-99	523C1-100	523C1-101	523C1-102	523C1-103
Attachment Plug		523C1-99	523C1-100	523C1-101	523C1-102	523C1-103
Cord Sleeve	1C13-27	1	1	1	1	1
U-Lock Screw	20C13-103	4	4	3	3	3
Spring	34C10-170	1	1	1	1	1
Terminal Sleeve	47C3-19	1	1	1	1	1
Terminal Sleeve (current)	47C3-20	2	3	1	1	1
Terminal Sleeve (current)	47C3-21	1	—	1	1	1
Cordclamp	50C7-27	1	1	1	1	1
Attachment Plug Cover		1	1	1	1	1
Attachment Plug Body	82C1-45	1	—	—	—	—
Attachment Plug Body	82C1-46	—	1	—	—	—
Attachment Plug Body	82C1-47	—	—	1	—	—
Attachment Plug Body	82C1-48	—	—	—	1	—
Attachment Plug Body	82C1-49	—	—	—	—	1
Rivet	91C4-22	1	1	1	1	1
Thumb Clip	98C4-37	1	1	1	1	1
Screw #4-40 x 3/8 Round Hd	300C8-1	—	—	2	2	—
Screw #4-40 x 1/2 Round Hd	300C8-2	2	2	—	—	2
Screw #4-40 x 7/8 Flat Hd	302C8-8	1	1	1	1	1
Terminal Block		508C1-99	508C1-100	508C1-101	508C1-102	508C1-103
U-Lock Screw	20C13-103	4	4	3	3	3
Terminal Block Bottom	51C1-61	1	1	1	1	1
Terminal Block Top		51C1-63	51C1-64	51C1-65	51C1-66	51C1-67
Screw #10-32 x 1-1/8 Flat Hd	302C15-8	2	2	2	2	2
Terminal Contact w/pln E	667C1-22	1	1	1	1	1
Terminal Contact w/pln L1,N	667C1-23	1	1	1	—	—
Terminal Contact w/pln L2	667C1-24	1	1	—	1	—
Terminal Contact w/pln L3	667C1-25	—	1	—	—	1
Terminal Contact w/pln L1,N	667C1-26	—	—	—	1	1
Terminal Contact w/pln L2	667C1-27	—	—	1	—	—
Terminal Contact w/pln L3	667C1-28	1	—	—	—	—



779 Washington St., Buffalo, N.Y. 14203-1396 U.S.A. • (716)856-2200 • Fax (716)856-1140 or (716)856-2068
 Manufacturers of Eastman Cloth Cutting and Cloth Spreading Machines